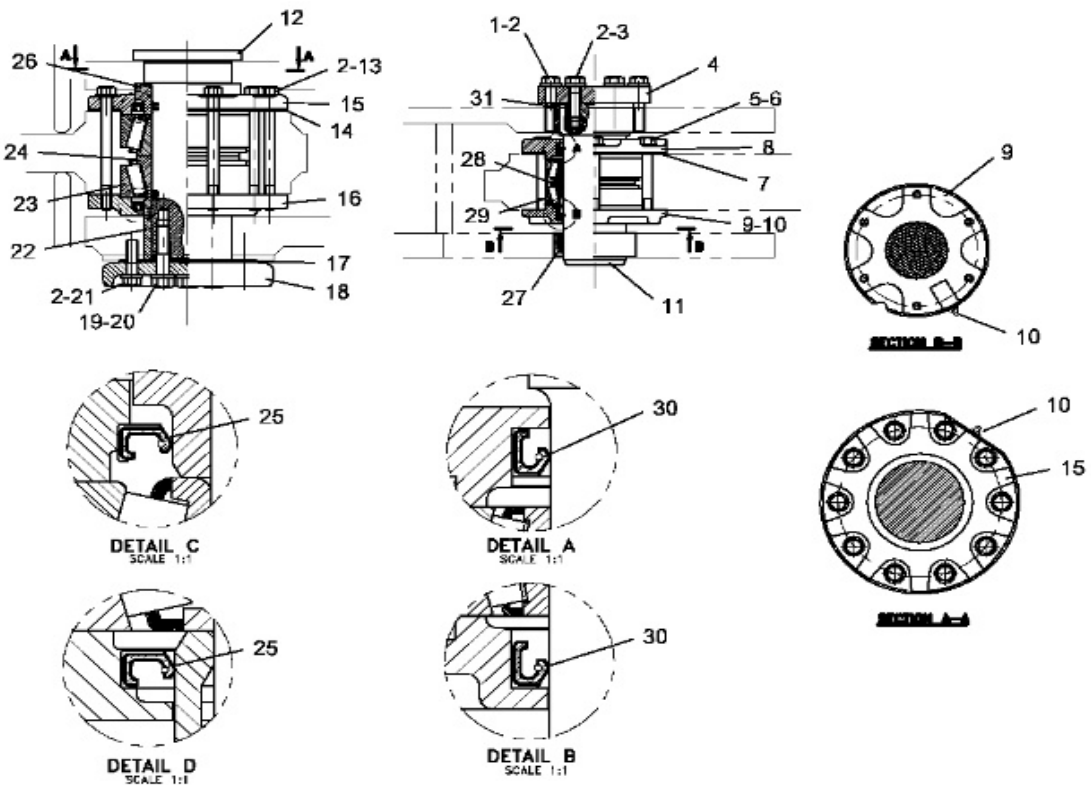


**ELPHINSTONE UNDERGROUND LOAD HAUL DUMP  
R1600 HITCH GP- ARTICULATED**

1868377	PIN
1V8850	PIN
1V8849	COLLAR
4V1901	BEARING SLEEVE
5K3490	SPACER
1868376	SPACER
8R9798	PLATE LOCK
1V8851	CAP
1V8852	CAP
5K0609	COVER

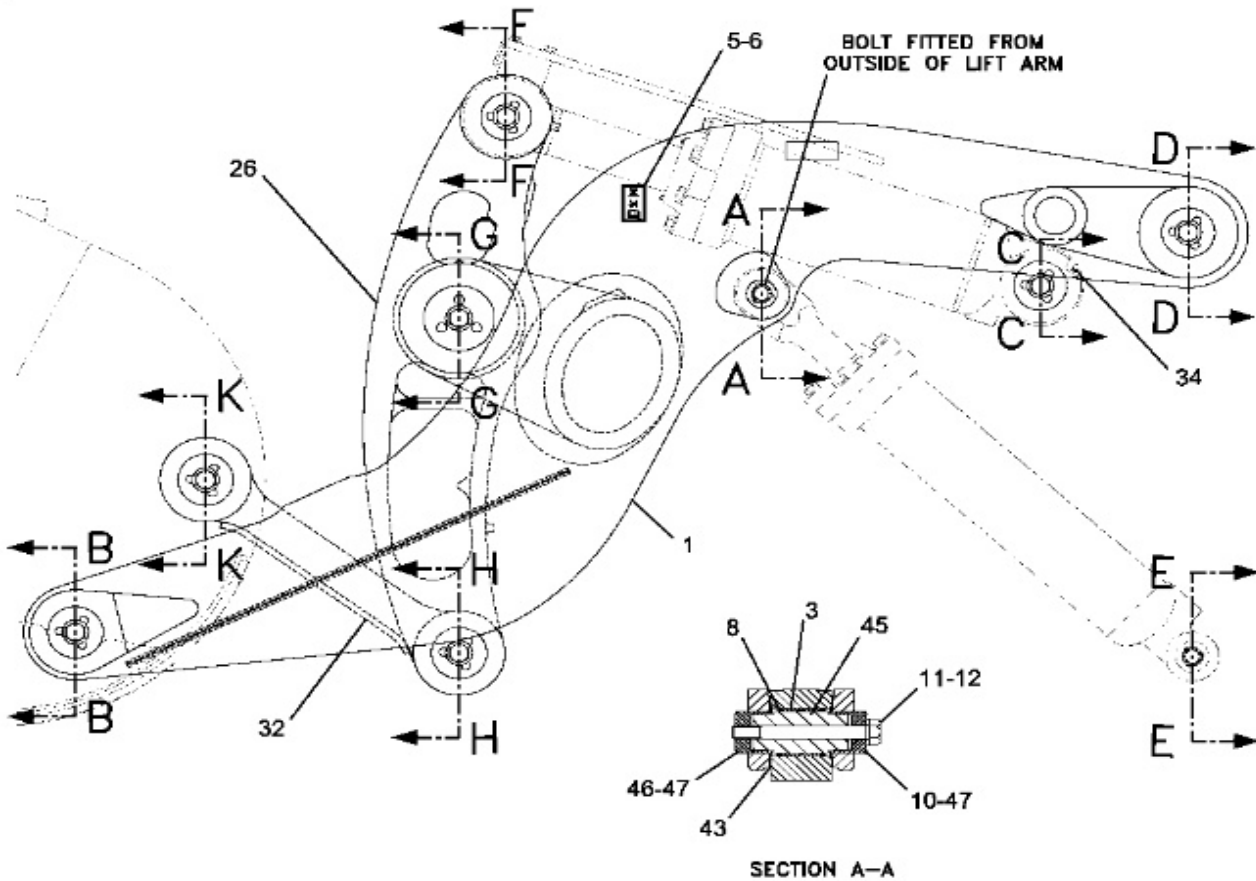


**ELPHINSTONE UNDERGROUND LOAD HAUL DUMP  
R1600G 9PP- CONTROL GP- BUCKET**

- |         |                |
|---------|----------------|
| 1V5635  | BEARING SLEEVE |
| 1V6934  | BEARING SLEEVE |
| 1V7001  | BEARING SLEEVE |
| 7K9220  | SEAL LIP       |
| 7K9218  | SEAL LIP       |
| 8R4267  | COLLET         |
| 8R3937  | COLLET         |
| 4V2115  | PIN            |
| 8R3942  | COLLET         |
| 1V8033  | PIN            |
| 8R3932  | COLLET         |
| 4V2119  | PIN            |
| 8R3938  | COLLET         |
| 8R3939  | COLLET         |
| 1V7038  | BEARING SLEEVE |
| 1V8031  | PIN            |
| 8R3931  | COLLET         |
| 1869727 | PIN*           |
| 4V2122  | PIN            |

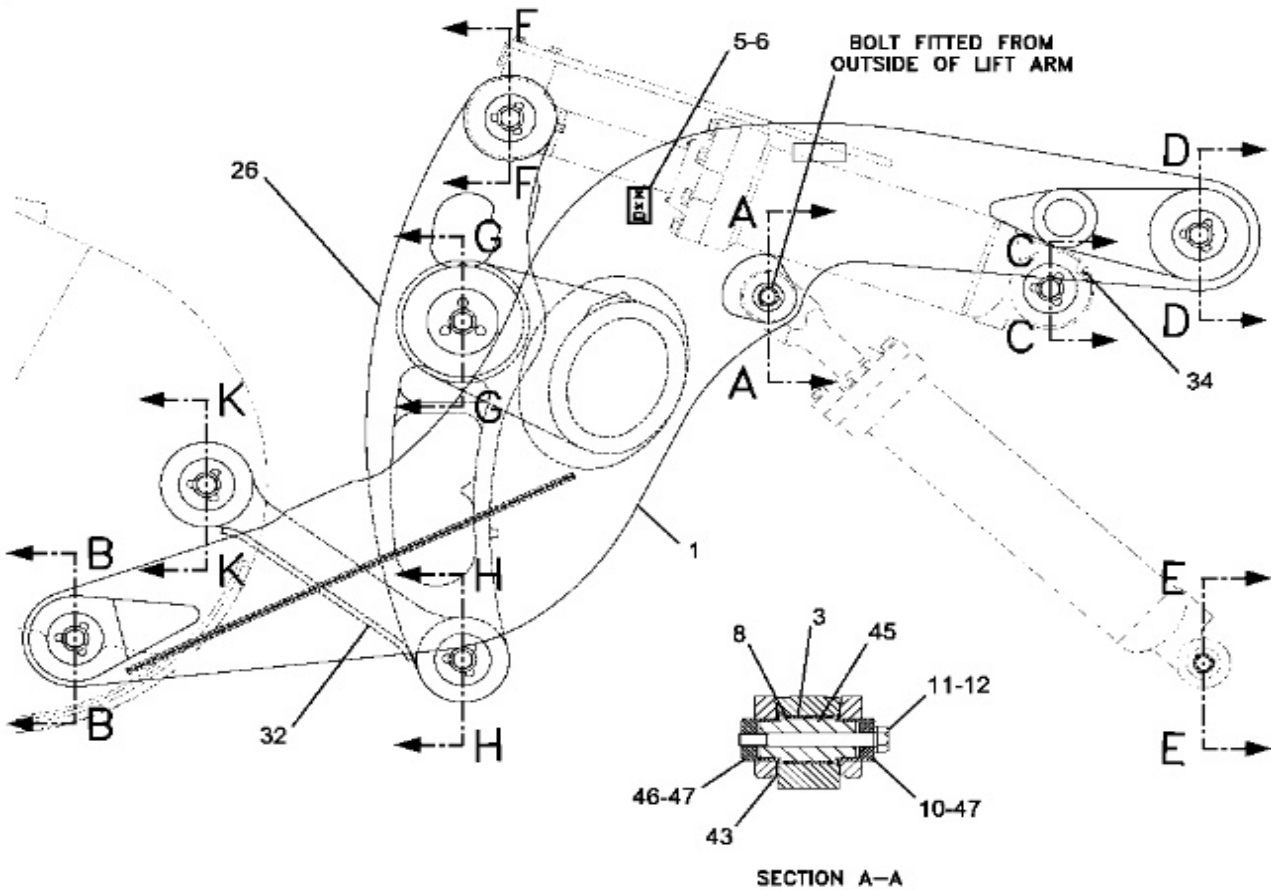


- |        |                |           |
|--------|----------------|-----------|
| 7J9346 | BEARING SLEEVE | R1600 9EW |
|--------|----------------|-----------|



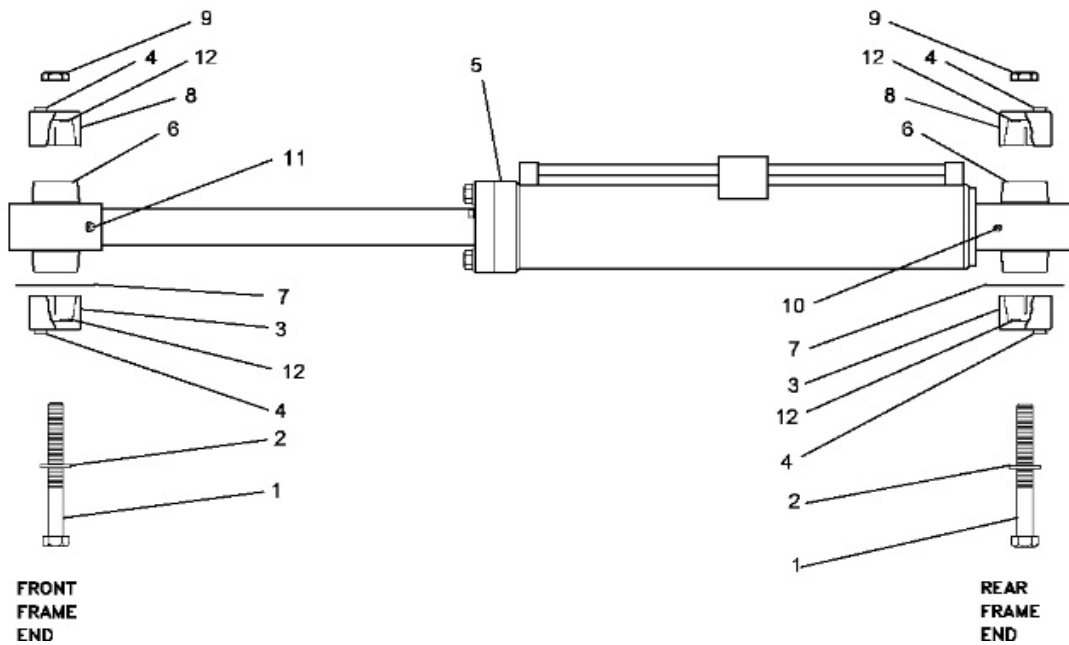
**ELPHINSTONE UNDERGROUND LOAD HAUL DUMP  
R1700 4LZ - CONTROL GP- BUCKET**

7K9220	SEAL-LIP
1V7002	BEARING-SLEEVE
1V7038	BEARING-SLEEVE
1V5635	BEARING-SLEEVE
1V8033	PIN
8R3932	COLLET
1V8031	PIN
8R3931	COLLET
8R3938	COLLET
8R3939	COLLET
4V2119	PIN
4V2115	PIN
8R3942	COLLET



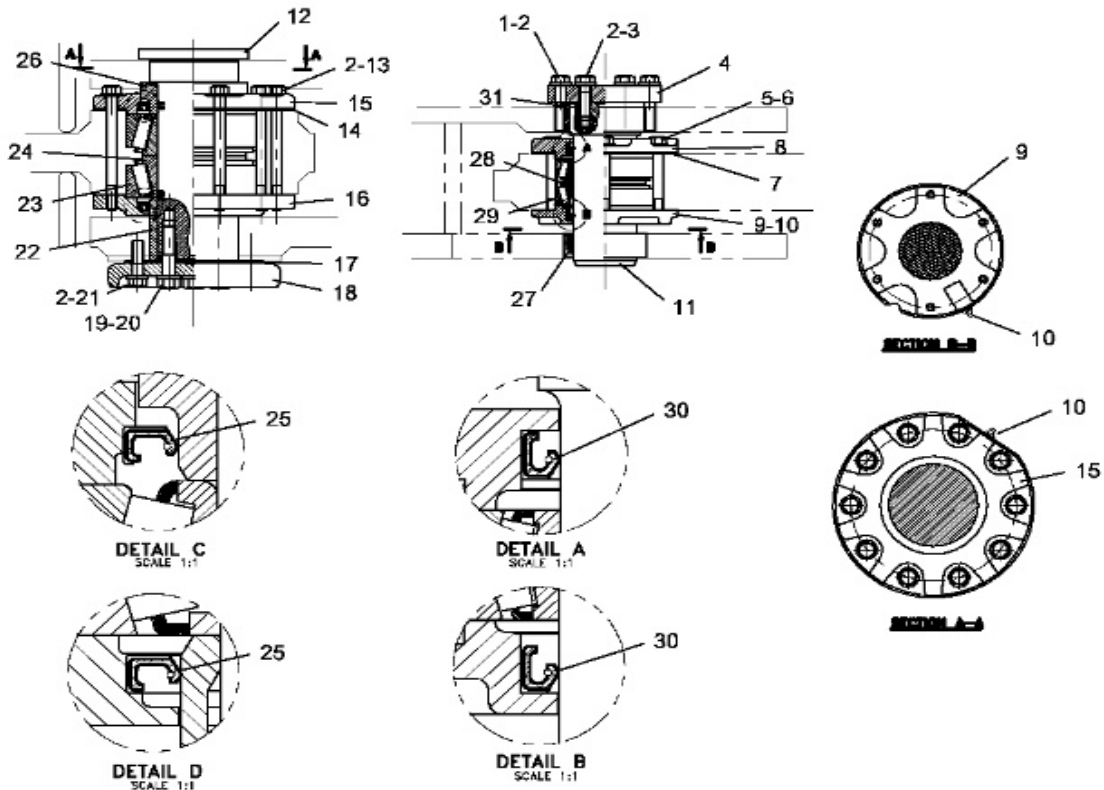
**ELPHINSTONE UNDERGROUND LOAD HAUL DUMP  
R1700 4LZ - CYLINDER & MTG GP - STEERING**

- |         |        |
|---------|--------|
| 3K5234  | WASHER |
| 1635855 | COLLET |
| 1635837 | PIN    |
| 1635843 | COLLET |



**ELPHINSTONE UNDERGROUND LOAD HAUL DUMP  
R1700 4LZ HITCH GP- ARTICULATED**

5K0609	COVER
1V8852	CAP
1V8851	CAP
1V8850	PIN
1868377	PIN
5K3502	CAP-LOWER
8R9798	PLATE-LOCKING
1868376	SPACER
5K3490	SPACER
4V1901	BEARING-SLEEVE
1V8849	COLLAR

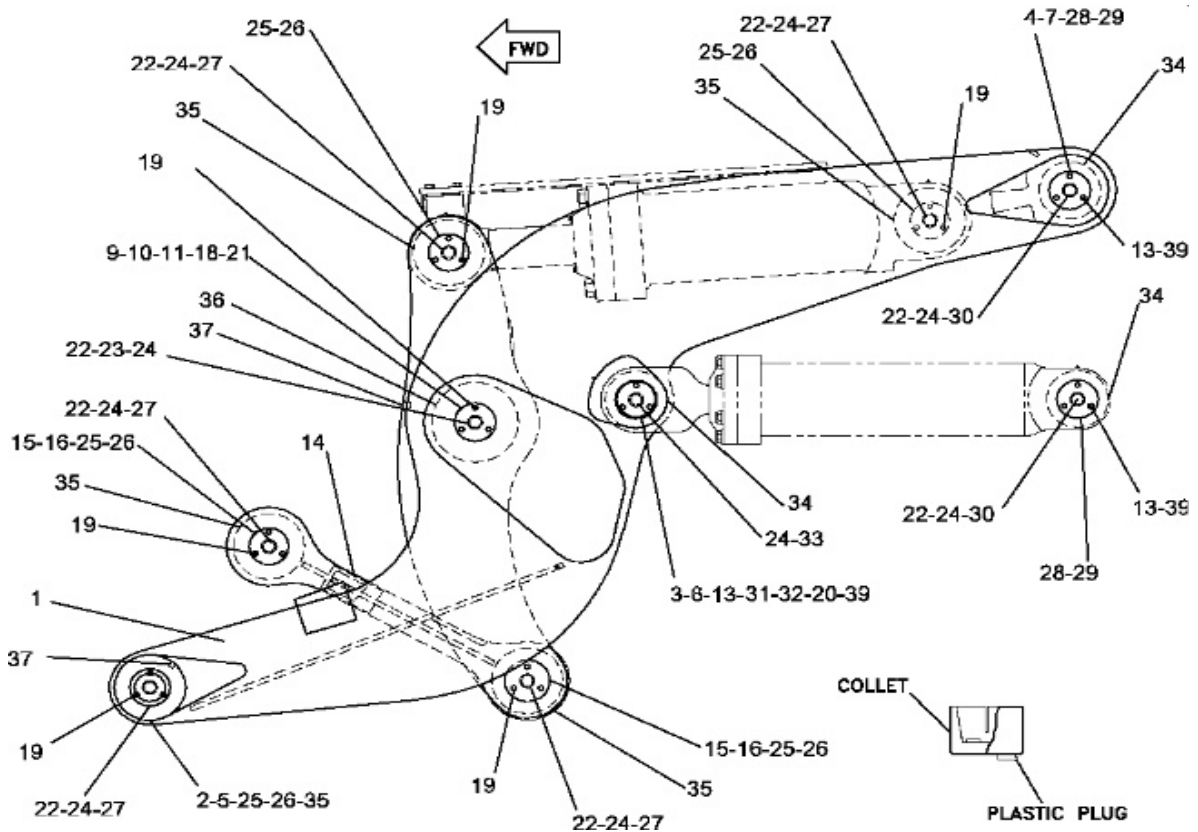


**ELPHINSTONE UNDERGROUND LOAD HAUL DUMP  
R2900 CONTROL GP- BUCKET**

- 1869776 BEARING
- 1869777 BEARING
- 1V7002 BUSHING
- 1V7001 BUSHING
- 5P2672 SEAL
- 7K9218 SEAL LIP
- 1V5636 BUSHING
- 7K9220 SEAL LIP
- 1V8030 PIN
- 8R3939 COLLET
- 8R3930 COLLET
- 1V8033 PIN
- 8R3932 COLLET
- 4V2115 PIN
- 8R3942 COLLET
- 4V2119 PIN
- 8R3938 COLLET

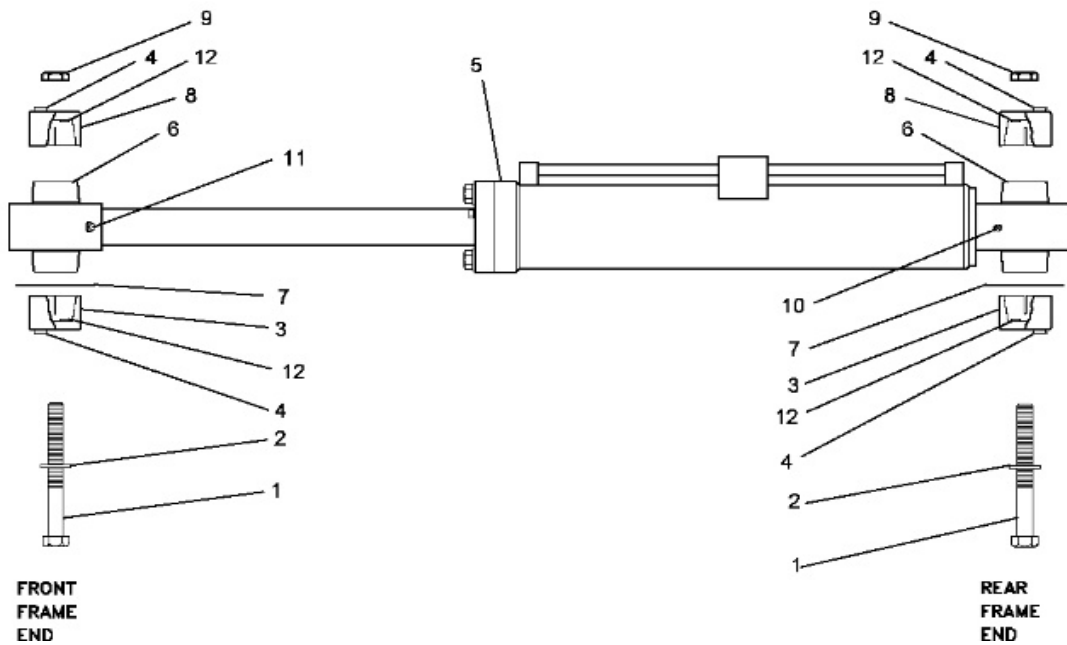


**1V5635 BUSHING - CYLINDER GP-TILT**



**ELPHINSTONE UNDERGROUND LOAD HAUL DUMP  
R2900 CYLINDER & MTG GP - STEERING**

- 1635837 PIN
- 1635843 COLLET
- 1635855 COLLET



**ELPHINSTONE UNDERGROUND LOAD HAUL DUMP  
R2900 HITCH GP- ARTICULATED**

- 7K9212 SEAL LIP
- 9K0723 PIN
- 5P2673 SEAL LIP
- 9K0803 SPACER
- 9K0802 SPACER
- 9K0804 PIN
- 9K0724 COLLAR

